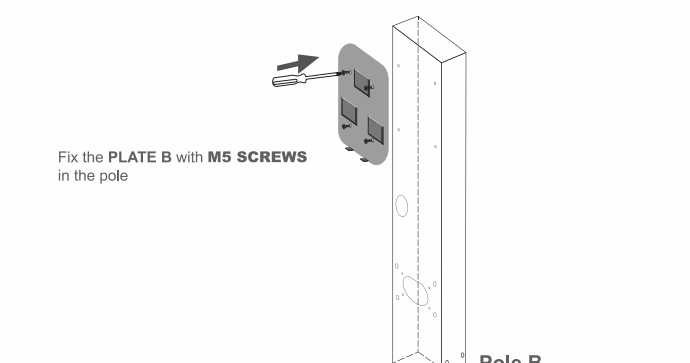


Quick Installation Guide

01 IF YOU WANT TO FIX YOUR WALLBOX ON THE **POLE**



As shown above, here are all the equipment and accessories included in the product box. Please check and make sure you do not miss anything before installation and follow the installation guide for proper installation. (The light-colour part is the accessory that is not needed in the current installation mode, please remove it before installation to prevent confusion)

Fix the **PLATE B** with **M5 SCREWS** in the pole



Pole B

02

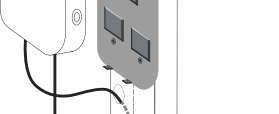
Fix the **PLATE A** with **M5 SCREWS** in the body of **STATION** backside



Insert the power cord into **Pole B**



Embed **PLATE A** with **STATION** into **PLATE B** on **Pole B**



Pole B

03

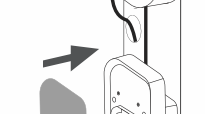
Take out the plate from the body of charging **SOCKET**



Fix the charging **SOCKET** on **Pole B** with **95mm SCREWS** by **ALLEN KEY**



Put the plate back to the body of **SOCKET**



Pole B

04

Insert the power cord into **Pole A**

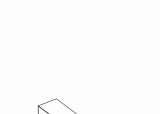


Pull out the power cord from the bottom hole of **Pole A**



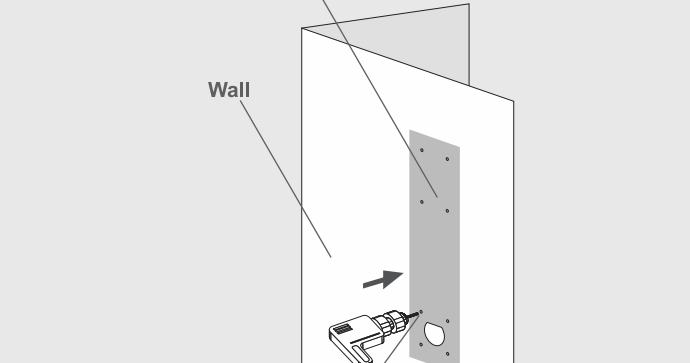
05

Firm **Pole A** and **Pole B** together with screws



Connect the power cord with the power supply

06 IF YOU WANT TO FIX YOUR WALLBOX ON THE **WALL**



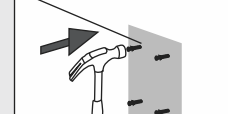
REFERENCE PAPER of installing screw hole size



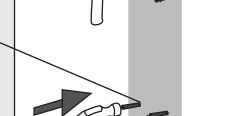
Drill the holes according to the REFERENCE PAPER

07

Hammer the **30mm PLASTIC BOLTS** into the holes



Hammer the **30mm METAL BOLTS** into the holes



Take down the REFERENCE PAPER from the wall later



Fix the **PLATE A** with **5M SCREWS** in the body of **STATION** backside

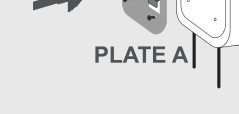
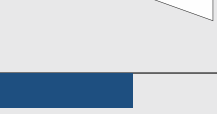


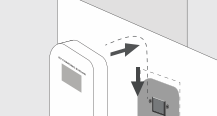
PLATE A

Fix the **PLATE B** with **30mm SCREWS** on the wall



08

Embed **PLATE A** with **STATION** into **PLATE B** on the wall



Take out the plate from the body of charging **SOCKET**



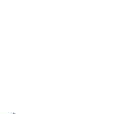
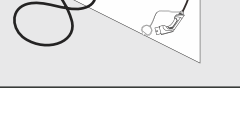
Fix the **SOCKET** on the wall with **95mm SCREWS** by **ALLEN KEY** and put the plate back to the body of **SOCKET**



SCREW SHIM

This is the final completion pic, you can put the **HOOK** anywhere you need

The cable can be hung on the **HOOK** or on the **SOCKET**



LUMEL S.A.
ul. Sulechowska 1, 65-022 Zielona Góra, POLAND
tel.: +48 68 45 75 139, 45 75 233, 45 75 321, 45 75 386
tel.: +48 68 45 75 100, fax +48 68 45 75 508
www.lumel.com.pl

Export department:
tel.: (+48 68) 45 75 139, 45 75 233, 45 75 321, 45 75 386
fax.: (+48 68) 32 54 091
e-mail: export@lumel.com.pl